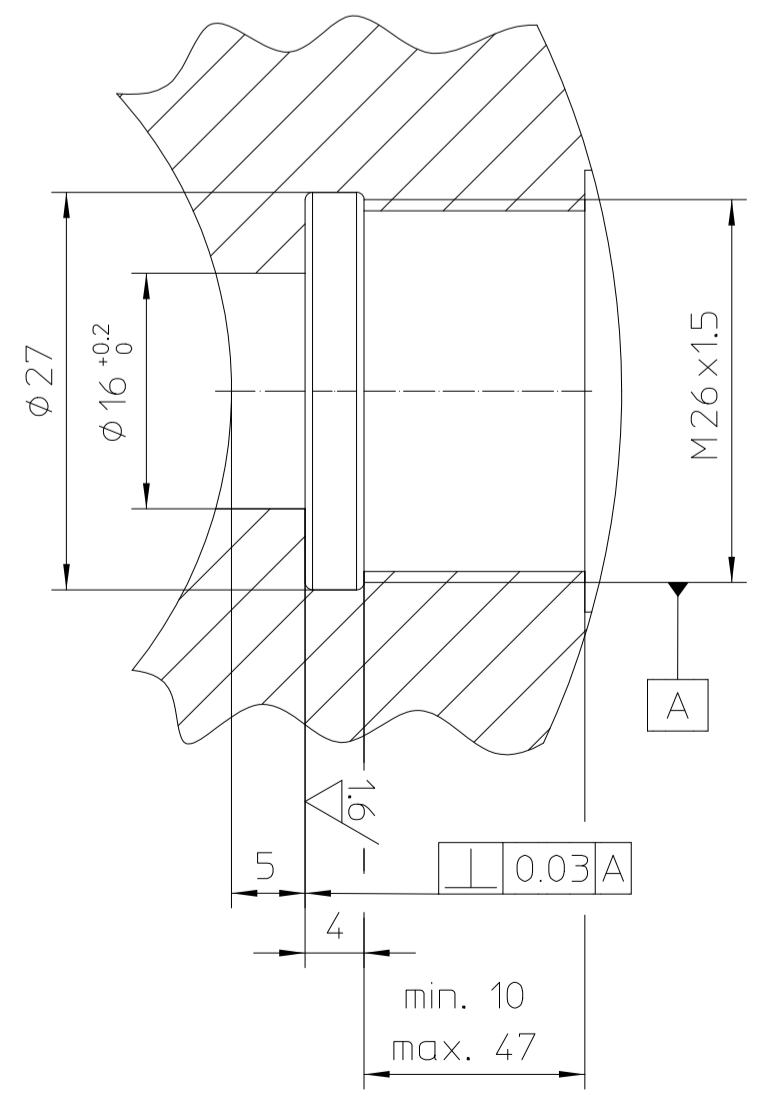
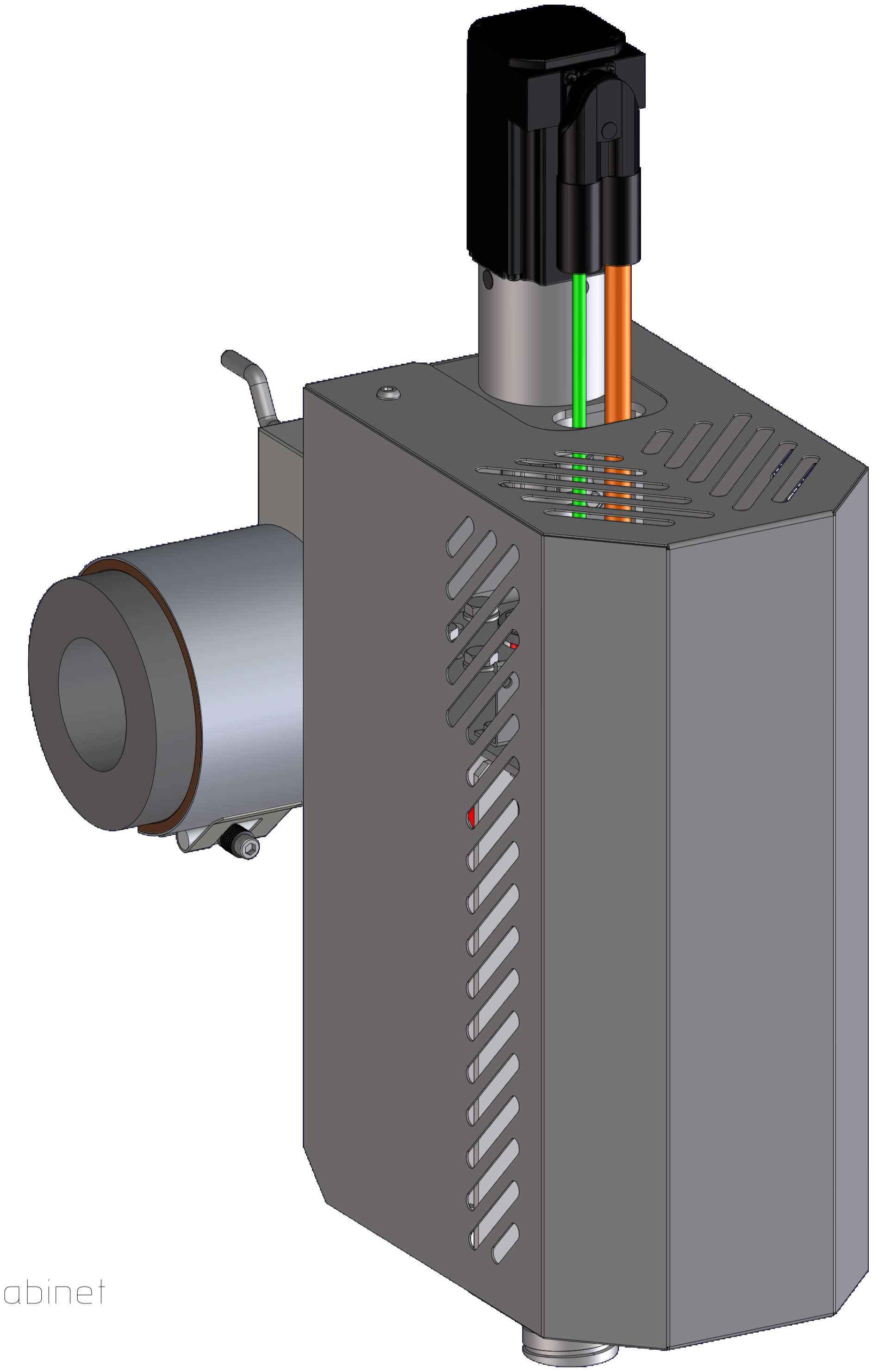
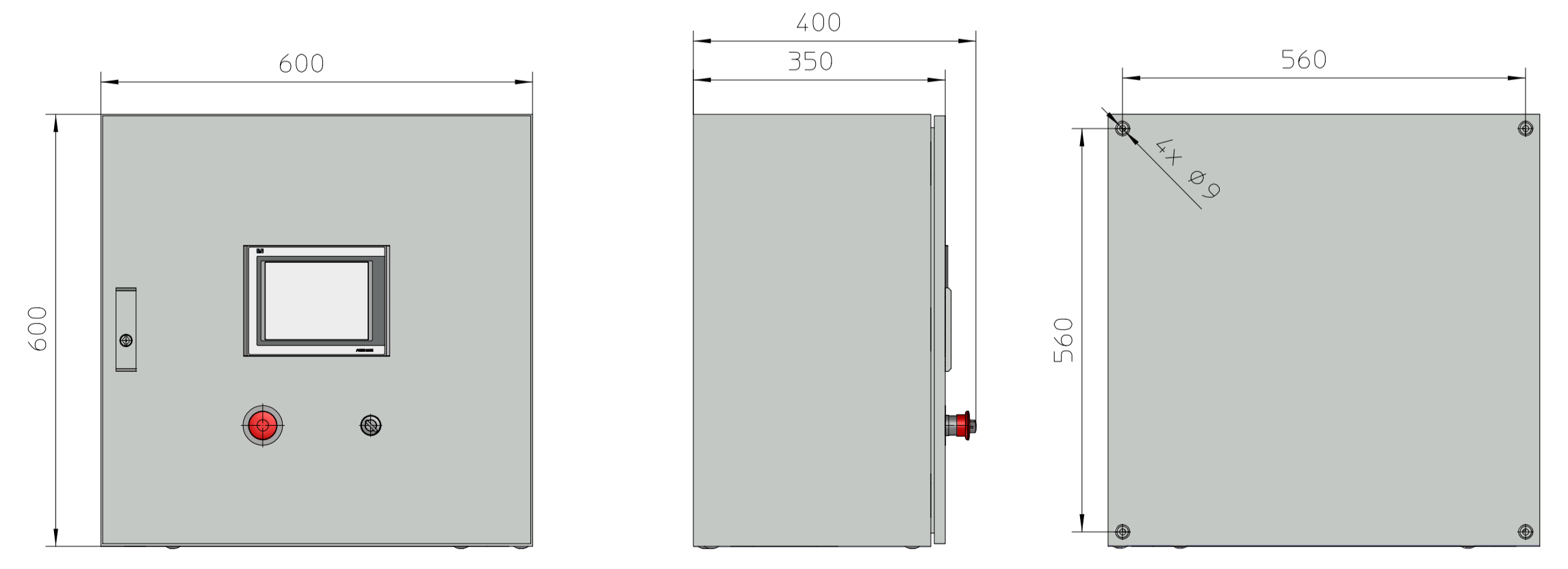


connection to extruder



electrical cabinet



layout iVON

Maßstab: 1:2 | 1/1 | A1



All rights reserved. This document may only be used for the purpose for which it was provided by us and may not be made accessible to third parties without our consent.